

ALL BATTENS ARE 56'-0" LONG

- 35: WHITE CYC
- 34:
- 33:
- M-4E: 4TH ELECTRIC
- 32:
- 31: BLACK SCRIM
- 30:
- 29: 4TH LEGS
- 28: 4TH BORDER
- 27:
- 26:
- 25:
- 24:
- 23:
- 22:
- 21:
- M-3E: 3RD ELECTRIC
- 20: 3RD LEGS
- 19: 3RD BORDER
- 18:
- 17:
- 16: SL LEGS
- 15: SR LEGS
- M-2E: 2ND ELECTRIC
- 14:
- 13:
- 12:
- 11: SL LEGS
- 10: SR LEGS
- 9: 2ND BORDER
- 8:
- 7:
- M-1E: 1ST ELECTRIC
- 6:
- 5: 1ST LEGS
- 4: 1ST BORDER
- 3:
- 2:
- 1: MAIN CURTAIN
- F: FIRE CURTAIN

- NOTES:**
- 1) ALL PLATFORMS COVERED IN SOLID SHEET MATERIAL EXCEPT THE CENTER PLATFORM WHICH IS COVERED WITH FLAT EXPANDED STEEL.
 - 2) ALL STAIRS VISIBLE TO THE AUDIENCE COVERED WITH FLAT EXPANDED STEEL EXCEPT THE DOWNSTAGE CENTER STAIRS WHICH ARE SOLID, BOTH TREADS AND RISERS.
 - 3) CONSULT WITH SD ON ADAPTING ANY ESCAPE STAIRS AS NECESSARY.

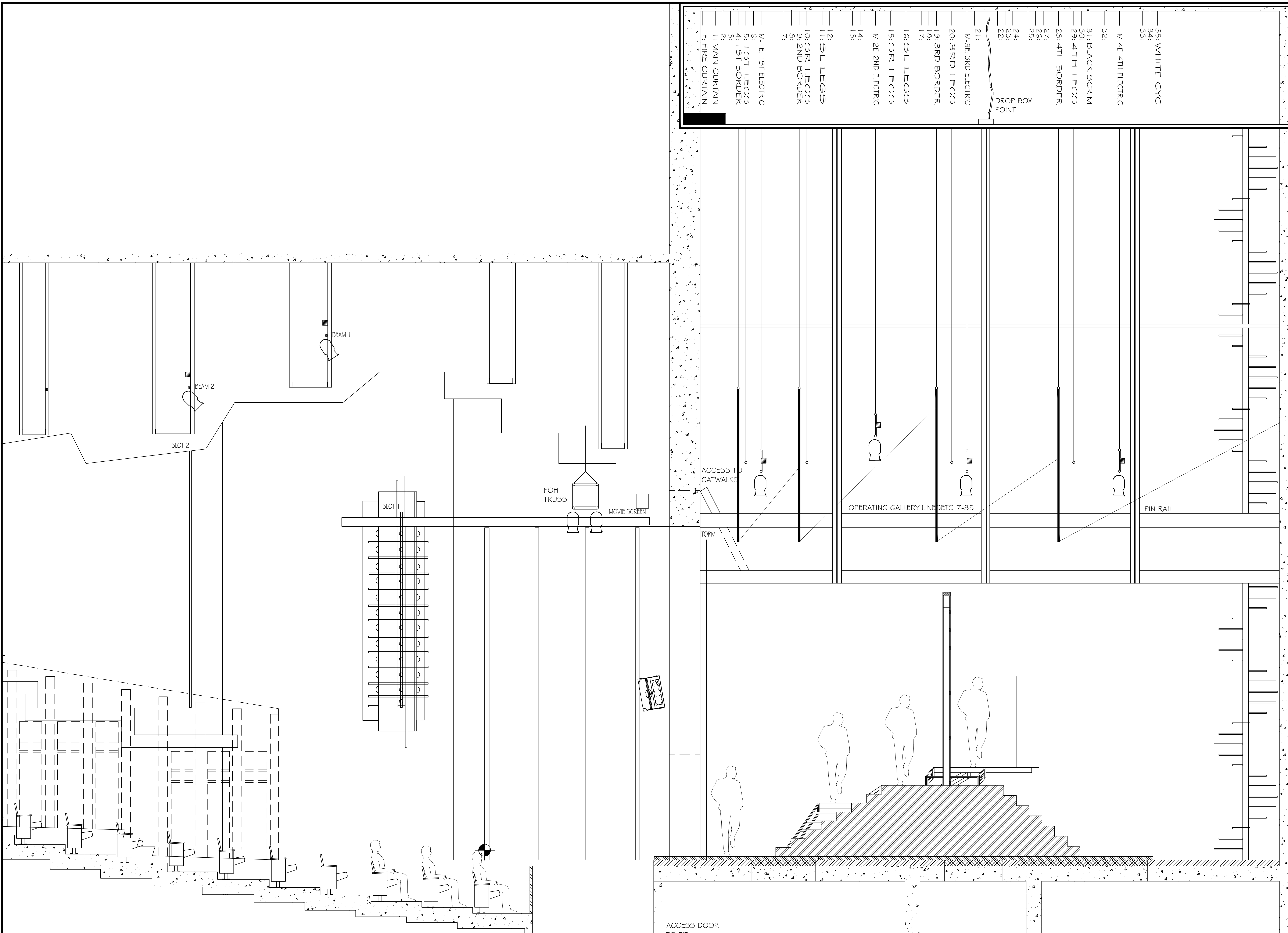
THIS DRAWING REPRESENTS VISUAL CONCEPTS AND CONSTRUCTION SUGGESTIONS ONLY. IT DOES NOT REPLACE THE KNOWLEDGE AND ADVICE OF A LICENSED STRUCTURAL ENGINEER. THE DESIGNER IS UNQUALIFIED TO DETERMINE THE STRUCTURAL APPROPRIATENESS OF THIS DESIGN AND WILL NOT ASSUME RESPONSIBILITY FOR IMPROPER ENGINEERING OR USE.

CONTACT INFORMATION:
 BRAD STEINMETZ
 (c) 614-749-0240
 bradsteinmetz@gmail.com

THE OHIO STATE UNIVERSITY
THURBER THEATRE
HEATHERS
THE MUSICAL
 DIRECTION: A. FOX
 DESIGN: B. STEINMETZ
 ASST DES: A. THOMPSON
 TECH DIR: C. ZINKON

SCALE: 3/8" = 1'-0"	PLATE: 1 OF 6
DATE: 12-05-2016	REVISION:

GROUND PLAN



- 35: WHITE CYC
- 34:
- 33:
- M-4E: 4TH ELECTRIC
- 32:
- 31: BLACK SCRIM
- 29: 4TH LEGS
- 28: 4TH BORDER
- 27:
- 26:
- 25:
- 24:
- 23:
- 22:
- 21: DROP BOX POINT
- M-3E: 3RD ELECTRIC
- 20: 3RD LEGS
- 19: 3RD BORDER
- 18:
- 17:
- 16: SL LEGS
- 15: SR LEGS
- M-2E: 2ND ELECTRIC
- 14:
- 13:
- 12: SL LEGS
- 11: SR LEGS
- 10: SR LEGS
- 9: 2ND BORDER
- 8:
- 7:
- M-1E: 1ST ELECTRIC
- 6: 1ST LEGS
- 5: 1ST BORDER
- 4:
- 3:
- 2: MAIN CURTAIN
- 1: FIRE CURTAIN

NOTES:
1) Notes go here.

THIS DRAWING REPRESENTS VISUAL CONCEPTS AND CONSTRUCTION SUGGESTIONS ONLY. IT DOES NOT REPLACE THE KNOWLEDGE AND ADVICE OF A LICENSED STRUCTURAL ENGINEER. THE DESIGNER IS UNQUALIFIED TO DETERMINE THE STRUCTURAL APPROPRIATENESS OF THIS DESIGN AND WILL NOT ASSUME RESPONSIBILITY FOR IMPROPER ENGINEERING OR USE.

CONTACT INFORMATION:
BRAD STEINMETZ
(c) 614-749-0240
bradsteinmetz@gmail.com

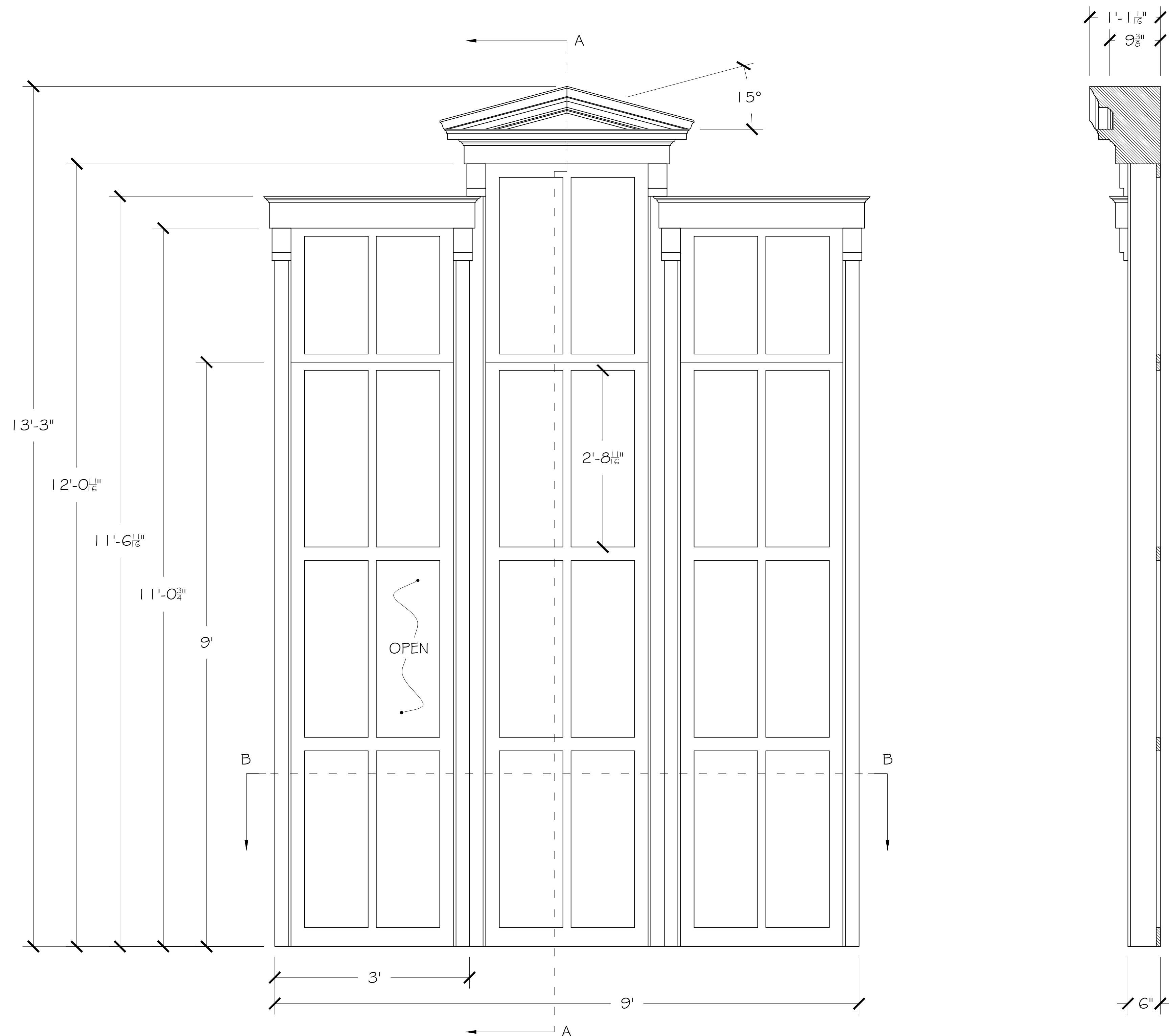
THE OHIO STATE UNIVERSITY

THURBER THEATRE
HEATHERS THE MUSICAL

DIRECTION: A. FOX
DESIGN: B. STEINMETZ
ASST DES:
TECH DIR: C. ZINKON

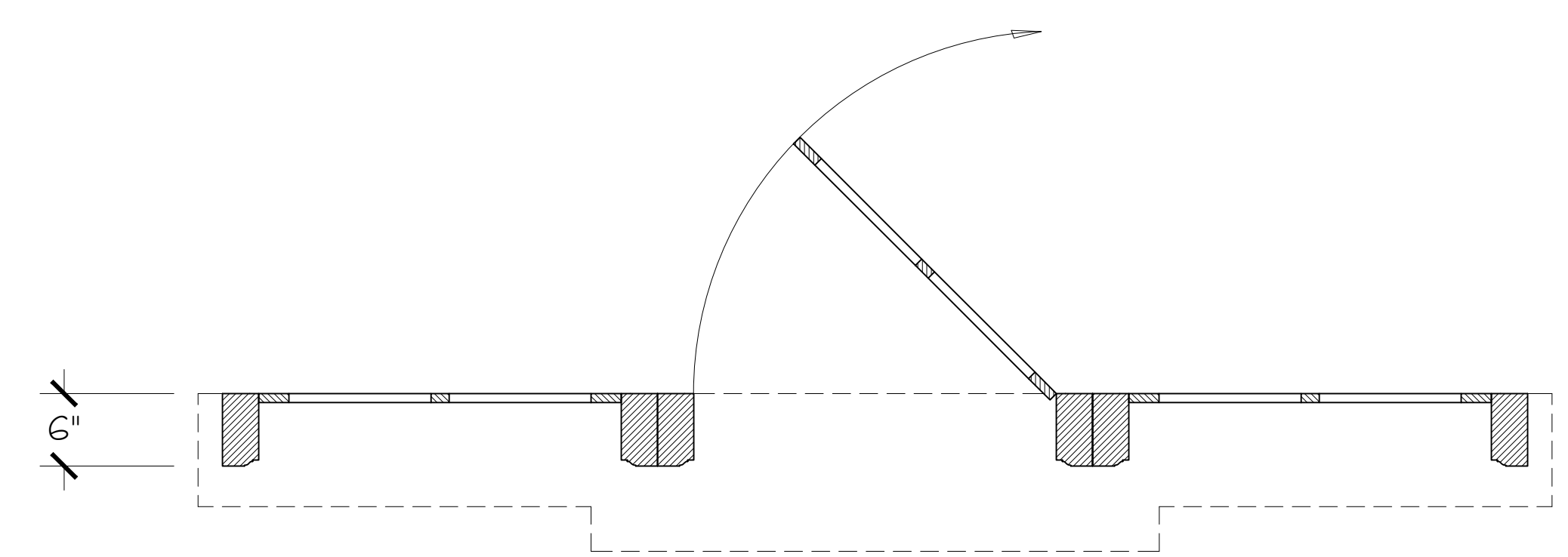
SCALE: 3/8" = 1'-0"	PLATE: 3 OF 4
DATE: 12-05-2016	REVISION:

CL SECTION (SR)



1 WINDOW UNIT
4 ELEVATION VIEW

2 WINDOW UNIT
4 A-A SECTION VIEW



2 WINDOW UNIT
4 B-B SECTION - PLAN VIEW

- NOTES:
- 1) WINDOW PANES ARE COVERED WITH TRANSLUCENT FABRIC AND EXPANDED STEEL.
 - 2) CONSULT WITH SD ON POSSIBLE ADJUSTMENTS AND TO WINDOWS, FRAMING, OR PEDIMENTS TO SIMPLIFY CONSTRUCTION.
 - 3) CONSULT WITH SD AND DIRECTOR ABOUT THE POSSIBILITY OF ALL 3 WINDOWS HINGING OPEN.

THIS DRAWING REPRESENTS VISUAL CONCEPTS AND CONSTRUCTION SUGGESTIONS ONLY. IT DOES NOT REPLACE THE KNOWLEDGE AND ADVICE OF A LICENSED STRUCTURAL ENGINEER. THE DESIGNER IS UNQUALIFIED TO DETERMINE THE STRUCTURAL APPROPRIATENESS OF THIS DESIGN AND WILL NOT ASSUME RESPONSIBILITY FOR IMPROPER ENGINEERING OR USE.

CONTACT INFORMATION:
BRAD STEINMETZ
(c) 614-749-0240
bradsteinmetz@gmail.com

THE OHIO STATE UNIVERSITY
THURBER THEATRE
**HEATHERS
THE MUSICAL**
DIRECTION: A. FOX
DESIGN: B. STEINMETZ
ASST DES:
TECH DIR: C. ZINKON

SCALE: 1" = 1'-0"	PLATE: 4 OF 4
DATE: 12-05-2016	REVISION:

WINDOW DETAILS